

STINGER[®]

CN100B CAP NAILER OWNER'S MANUAL

OPERATION

MAINTENANCE

SAFETY

WARRANTY



PLEASE READ! This manual contains important information about your new tool.

Congratulations on purchasing the STINGER CN100B Cap Nailer! You have selected a brand and a tool that you can count on to deliver best practice installation, and perform job after job.

Please take the time to read and understand the information in this Owner's Manual before operating or maintaining your CN100B Cap Nailer.

The CN100B is intended for securing housewrap, foamboard, and roofing underlayments.

Improper use of the CN100B could result in serious injury or even death. Most accidents occur because of the failure to observe basic safety rules and precautions, which are outlined in the "Important Information" section of this manual.

This Owner's Manual should be available to anyone who plans to operate the CN100B.

TABLE OF CONTENTS

Important Information	1
Tool Specifications	4
Loading the Tool	5
Operating the Tool	6
Schematic	7
Parts List	8
Maintenance and Storage	10
Warranty	11
Troubleshooting	12



PERSONAL SAFETY ITEMS

- Do not use tool prior to reading the Owner's Manual
- Always wear eye protection that conforms to ANSI requirements (Z87.1) and provides protection against flying particles both from the front and side. Eye protection should be worn by the operator and by others in the work area. Eye protection is required to protect against flying fasteners and debris that could possibly cause severe eye injury.
- The employer is responsible to enforce the use of eye protection equipment by the tool operator and all other personnel in the work area.
- To prevent accidental injuries
 - Handle the tool with care
 - Always assume that the tool contains fasteners
 - Always disconnect the air hose from the CN100B when:
 - loading nails and/or caps
 - performing inspection, maintenance or repair
 - clearing a nail or collated cap jam
 - the tool is not in use
 - leaving the work area
 - moving the CN100B to another work location
 - handing the CN100B to another person
 - storing the tool
 - Never point the tool toward yourself or anyone else
 - Never engage in horseplay when handling the tool
 - Never hold or carry the tool with a finger on the trigger
 - Never place a hand or any other part of the body in the fastener discharge area of the tool while the air supply is connected

AIR SUPPLY AND CONNECTIONS

- Use only clean, regulated compressed air as a power source for this tool. Do not use bottle gases, combustible gases or oxygen as a power source for the tool as the tool may explode.
- Do not use air supply pressures that exceed 110 PSI. Exceeding the recommended maximum operating air pressure will greatly increase tool wear.
- The air supply must be capable of maintaining the operating air pressure of the tool. Pressure drops in the air supply can reduce tool performance.
- Use a pressure regulator and gauge to allow visual inspection of the air pressure being delivered to the tool.
- Use air hoses that have rated pressures of up to 150% of the maximum pressure that can be generated by the power source. The supply hose should contain fittings that will provide quick disconnecting from the male plug on the tool.
- Use quick connect fittings that allow the tool to be unhooked from the air supply quickly and easily.
- Do not use fittings that will not allow the tool to exhaust when the air supply is disconnected.

OPERATION OF THE TOOL

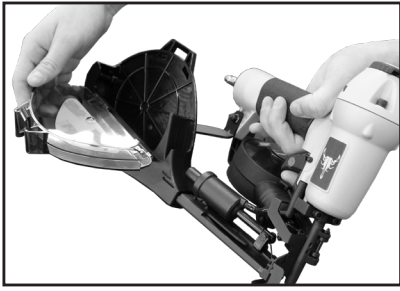
- Never inspect, maintain, repair, adjust, clear a jam or store the tool with the air connected.
- Never use the tool in proximity of flammable gases or liquids, as some tools will create sparks that can be an ignition source for a fire or explosion.
- Always inspect the safety device for damage and proper operation prior to operation.
- Never assume the tool is empty of fasteners.
- Never point the tool toward yourself or any other persons.
- Never cycle the tool unless it is in contact with the work-piece.
- Never use the tool as a hammer or wedging device or drop to the floor from any height.
- Always remove your finger from the trigger when pausing from cycling.
- Never tamper with the safety device or use the tool if the safety device is not functioning properly.
- Use only STINGER® NailPac® 1” cap nails with the STINGER CN100B Cap Nailer. Never use any fasteners that are not specified for use in this tool. The CN100B holds 1 roll of plastic caps (200 caps) and 1 coil of nails (200 nails each).

TOOL SPECIFICATIONS



Operating Pressure	80 - 110 PSI*
Weight	4.9lbs 2.22kg
Nail Capacity	200 nails (1 - 200 count coil)
Cap Capacity	200 collated plastic caps (1 reel)
Air Inlet	1/4" 6.5mm
Fasteners	STINGER® NailPac® only - includes 10 coils of 1" Electro Galvanized ring shank nails (200 nails per coil), and 10 reels of 1" collated plastic caps (200 caps per roll).

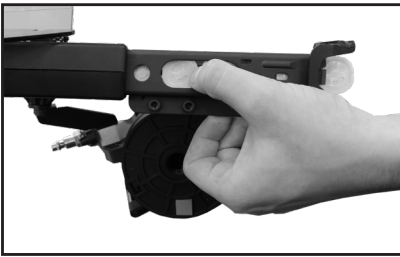
LOADING THE TOOL



- Disconnect air. Open the Magazine Cover.



- Place cap reel in the Basket (*tape must be removed from reel before inserting*). Make sure the front end of the cap reel is placed over the cap guide area of the basket. Insert lead cap into the feed chute.
- Close the Magazine Cover.



- Slide caps along the Feed Chute with fingers until the first cap is positioned under the Nose.



- Depress the latch on the Nail Gate and Basket Cover. Open the Nail Gate and Basket Cover. Place one nail coil in the Basket so it fits securely around the center post.



- Insert lead nail into the nose. Lay the following nails flat onto the Feeder Pawls.
- Close Nail Basket cover and Nail Gate. Be sure the latch is securely fastened.
- Plug into air source. The tool is ready to use!

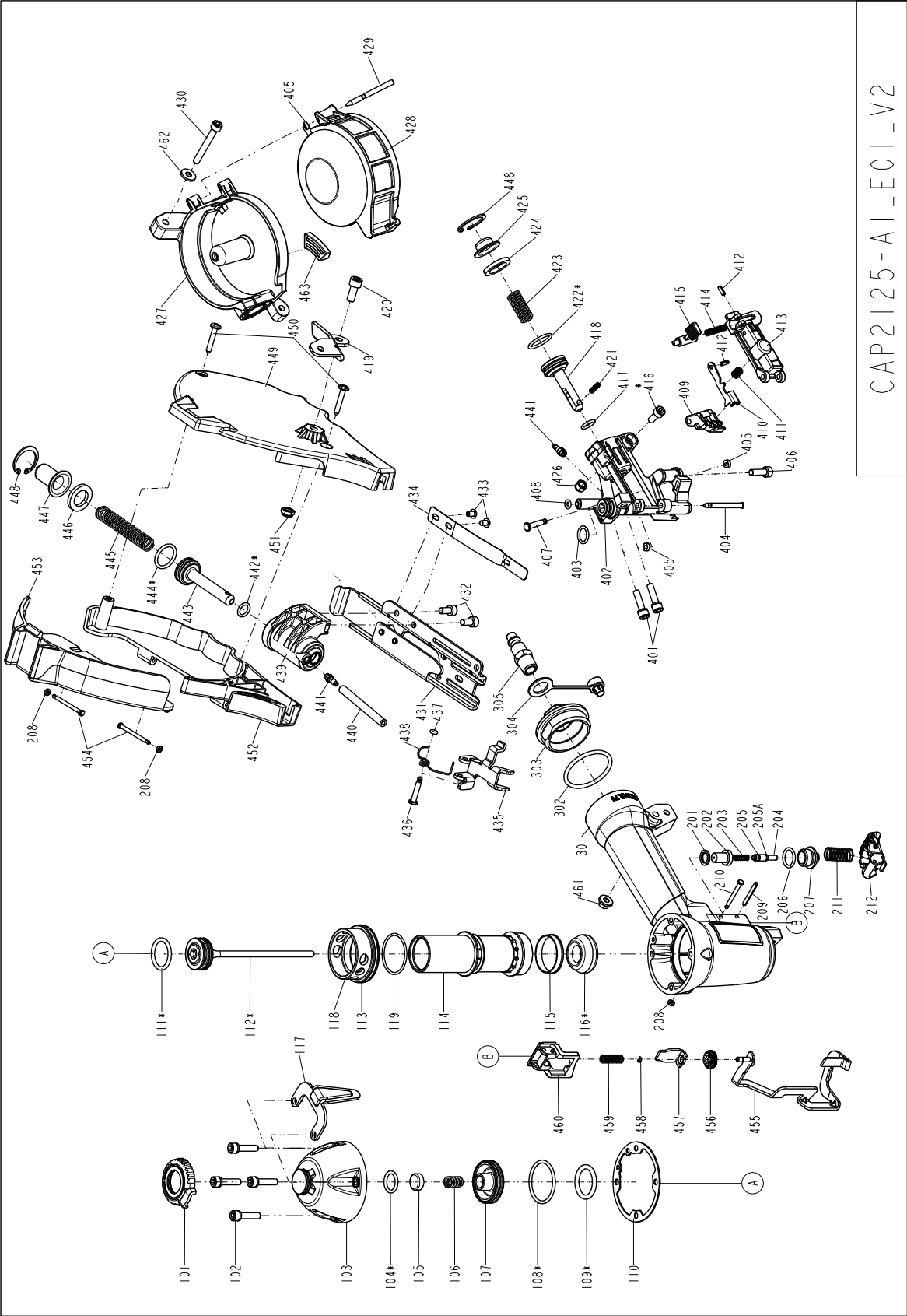
OPERATING THE TOOL

DO NOT USE CN100B PRIOR TO READING THIS OWNER'S MANUAL

1. Read warning label(s) on the tool.
2. Visually inspect the tool for worn or damaged parts.
3. Wear appropriate eye and ear protection.
4. Install a male pneumatic fitting into the End Cap of the tool, ensuring that the fitting allows the tool to exhaust any air in the tool when the hose is disconnected.
5. Add 2 drops of non-detergent, 20-weight oil into the male fitting daily (bottle included in carrying case).
6. Connect the air hose to the tool using a quick connect fitting, and check the air pressure reading on the regulator to ensure it does not exceed 110 PSI. Check the tool for any air leaks.
7. Place the tool, empty of fasteners, in operating position on a scrap work piece - fully depress the Safety and pull the Trigger to verify that the tool cycles.
8. Disconnect the air hose from the tool when:
 - Loading nails and/or caps
 - Performing inspection, maintenance, or repair
 - Clearing a nail or collated cap jam
 - The tool is not in use
 - Leaving the work area
 - Moving the tool to another work location
 - Handing the tool to another person
 - Storing the tool
9. Following recommended loading instructions, load the fastener approved for use in the tool.
10. Cycle the tool on a scrap piece to evaluate the depth of penetration by the fastener into the work piece.
11. To adjust the depth of penetration, regulate the air pressure at the air compressor and/or disconnect the air hose, adjust the depth control wheel, connect the air hose, and cycle the tool on a scrap work piece to evaluate the adjustment.
12. Repeat Step 11 as needed to set the correct depth, using the minimum amount of air pressure to drive the fastener.

CN100B SCHEMATIC

Contact Inside Sales at 800-746-5659 to place an order for replacement parts



CAP2125-A1-E01-V2

CN100B PARTS LIST

Ref. #	Description	National Nail Item #
101	DEFLECTOR	138500
102	BOLT ASSY	138501
103	CAP	138502
104	O - RING	138503
105	SEAL	138504
106	COMPRESSION SPRING	138505
107	POPPET VALVE	138506
108	O - RING	138507
109	O - RING	138508
110	GASKET	138509
111	O - RING	138510
112	DRIVER UNIT	138598
113	O - RING	0138512
114	CYLINDER - ALUMINIUM	138639
115	CYLINDER RING	0138514
116	BUMPER	0138515
117	BELT HOOK	138516
118	COLLAR	0138640
119	O-RING	0138641
201	SEAL	0138518
201	SEAL	0138518
202	TRIGGER VALVE HEAD	0138519
203	SPRING	0138520
204	PLUNGER	0138521
205	O - RING	0138522
205A	O - RING	0138523
206	O - RING	0138524
207	TRIGGER VALVE GUIDE	0138525
208	RETAINER	0138526
209	SPRING PIN	0138527
210	TRIGGER PIVOT PIN	0138528
211	SPRING	0138529
212	TRIGGER UNIT	0138530
301	GUN BODY UNIT	138599
302	O - RING	0138532
303	END CAP	0138533
304	DUST COVER	0138534
305	AIR PLUG	0138535
401	BOLT ASSY	0138536
402	NOSE PIECE	138600
403	O - RING	138601
404	DOOR SHAFT PIN	138602
405	PU RETAINER	138603
406	HEX.SOC.HD.BOLT	138604
407	FIXED PIN	138605
408	O - RING	138606
409	FEED FINGER	138607
410	NAIL STOP	138608
411	STOPPER FINGER SPRING	138609
412	SPRING PIN	138610
413	DOOR	138611

CN100B PARTS LIST

Ref. #	Description	National Nail Item #
414	LATCH SPRING	138612
415	DOOR LATCH	138613
416	HEX.SOC.HD.BOLT	138614
417	O - RING	138615
418	FEED PISTON	138616
419	POSITIONING SHEET	138617
420	HEX.SOC.HD.BOLT	0138557
421	STOPPER FINGER SPRING	138618
422	HEX.SOC.HD.BOLT	138619
423	SPRING A COMPRESSION	138620
424	FEED BUMPER	138621
425	FEED PISTON CAP	138622
426	LOCK NUT	138623
427	MAGAZINE CASE	138624
428	MAGAZINE COVER	138625
429	MAGAZINE SHAFT PIN	138626
430	HEX.SOC.HD.BOLT	138627
431	TRACK	0138566
432	HEX.SOC.HD.BOLT	0138567
433	HALF ROUND HD.HEX.BOLT	0138568
434	HOLD DOWN SPRING	0138569
435	PUSHING	0138570
436	PIN FEED PISTON	0138571
437	O - RING	0138572
438	SPRING	0138573
439	FEEDING TRACK	0138574
440	INLET TUBING	138628
441	BARB FITTING	0138576
442	O - RING	0138577
443	FEED PISTON	0138578
444	O - RING	0138579
445	SPRING FEED	0138580
446	FEED BUMPER	0138581
447	FEED PISTON CAP	0138582
448	C - RING	0138583
449	MAG. COVER LEFT	0138584
450	PHILLIPS SCREW	0138585
451	LOCK NUT	0138586
452	MAG. COVER RIGHT	0138587
453	DOOR	0138588
454	TRIGGER PIVOT PIN	0138589
455	SAFETY A UNIT	138629
456	ADJUST AXIE	0138591
457	SAFETY B	0138592
458	RING	0138593
459	SPRING	0138594
460	SAFETY GUIDE	0138595
461	BOLT CAP	138630
462	FLAT WASHER	138631
463	SPACER RING	138632
	O-Ring Kit (contains parts in bold)	0138638

MAINTENANCE

1. Disconnect the air hose from the tool when performing inspections, maintenance, or repairs.
2. Use air line lubricators. If lubricators are not available, or if hose length exceeds 10 feet, add 2 drops of non-detergent 20-weight oil daily into the Air Inlet of the tool (bottle included in carrying case).
3. Whenever repairs or replacement of parts inside the body occur, check the Piston “O” Ring for adequate grease lubrication.
4. Never use any parts other than genuine STINGER replacement parts. To order, call 800-746-5659.
5. Periodically clean the Magazine and Nose of the tool with a mild solvent.

STORAGE

1. Disconnect the air hose when storing the tool.
2. Never store the tool in cold weather environments for any duration of time as any frost or ice formation in the tool will cause tool failures.
3. For prolonged storage, add 2 drops of oil to the Air Inlet of the tool prior to discontinuing use. Also clean the exterior of the tool with a mild solvent.

WARRANTY ITEMS

1. Warranty for cap assemblies, castings and housing castings is one year.
2. Warranty for bumpers, “O” rings, driver blades and piston rings is not applicable as they are normal wearing parts whose life is dependent on application.
3. Warranty for all other parts is 90 days.

WARRANTY CONDITIONS

1. The beginning date in which the warranty is in force is the date of purchase.
2. The warranty is not transferable.
3. The warranty is voided by any of the following:
 - a. Abuse, misuse, or damage to the tool
 - b. Use of parts other than genuine STINGER parts
 - c. Use of fasteners not designated for use in the tool
 - d. Modifications to the tool that alter the original function or intent of use of the tool by anyone other than National Nail
4. National Nail Corp. retains the right to replace or repair any warranty items it deems necessary.

TROUBLE SHOOTING

DISCONNECT THE AIR HOSE FROM THE TOOL WHEN PERFORMING INSPECTIONS, MAINTENANCE, OR REPAIRS.

PROBLEM

CORRECTION

- | | |
|--|---|
| 1. Tool operates, but no fasteners are driven | <ul style="list-style-type: none">• Make sure the tool is lubricated.• Check Magazine for proper fasteners. Fasteners should move freely in and out of the Magazine. |
| 2. Cap leaks air | <ul style="list-style-type: none">• Tighten Cap Screws |
| 3. Fasteners jam in nose of tool | <ul style="list-style-type: none">• Depress the latch on the Nail Gate and Basket Cover. Open the Nail Gate and Basket Cover. Remove the jammed fastener.• Reload tool• Close Nail Basket cover and Nail Gate. |
| 4. Weak drive | <ul style="list-style-type: none">• Check to make sure there is adequate air supply |
| 5. Skipping fasteners | <ul style="list-style-type: none">• Replace Bumper if worn• Use only genuine STINGER® NailPac®• Replace Magazine if worn• Check air supply as it may be too low or too high• Make sure tool is lubricated |
| 6. Fasteners will not drive completely into work piece | <ul style="list-style-type: none">• Adjust the depth of drive• Check air supply as it may be too low or too high• Inspect Driver Blade for damage |

*Please contact Inside Sales for technical support if you have any other problems
800-746-5659*



To learn more about our products
and services, check us out at:



@stingersystems

STINGERWORLD.COM

STINGER®

MANUAL DE USUARIO DE PISTOLA CLAVADORA CN100B

USO

MANTENIMIENTO

SEGURIDAD

GARANTÍA



¡LEA CON ATENCIÓN! Este manual contiene información importante sobre su nueva herramienta.

¡Felicitaciones por comprar la pistola clavadora STINGER CN100B! Usted puede confiar en que la marca y la herramienta que eligió le facilitarán el trabajo y lo ayudarán a llevar a cabo múltiples tareas.

Asegúrese de tomarse el tiempo de leer y entender la información proporcionada en este Manual de Usuario antes de utilizar su pistola clavadora CN100B o de realizar su mantenimiento.

La CN100B está diseñada para fijar membranas hidrófugas, cartones pluma y membranas impermeabilizantes para techos.

El uso incorrecto de la CN100B puede provocar lesiones graves o incluso la muerte. La mayoría de los accidentes ocurren por no seguir las normas de seguridad y las precauciones básicas que se detallan en el apartado de «Información Importante» de este manual.

Este Manual de Usuario debe estar disponible para cualquier persona que considere utilizar la CN100B

ÍNDICE

Información importante	1
Especificaciones de la herramienta	4
Carga de la herramienta	5
Uso de la herramienta	6
Esquema	7
Lista de piezas	8
Mantenimiento y guardado	10
Garantía	11
Solución de problemas	12



ENUMERACIÓN SOBRE SEGURIDAD PERSONAL

- No utilice la herramienta antes de leer el Manual de Usuario.
- Siempre utilice las gafas de protección que exige el Instituto Nacional Estadounidense de Estándares ANSI (específicamente el estándar Z87.1), que le brindan protección frontal y lateral contra cualquier elemento que pueda salir despedido. Los operarios y otras personas que estén en el área de trabajo deben utilizar esta protección. Las gafas son necesarias para evitar que las grapas y los restos que salgan despedidos puedan provocar lesiones graves en los ojos.
- El empleador es responsable de exigir el uso de los equipos de protección ocular al operario y las demás personas que estén en el área de trabajo.
- Para evitar lesiones accidentales
 - Manipule la herramienta con cuidado.
 - Siempre asuma que la herramienta está cargada.
 - Siempre desconecte la manguera de aire de la CN100B en los siguientes casos:
 - Cuando cargue clavos o arandelas.
 - Cuando realice inspecciones, mantenimientos o reparaciones.
 - Cuando intente desatascar un clavo o arandelas unidas.
 - Cuando no esté utilizando la herramienta.
 - Cuando se vaya del área de trabajo.
 - Cuando mueva la CN100B a otro lugar de trabajo.
 - Cuando le dé la CN100B a otra persona.
 - Cuando guarde la herramienta.
- Jamás apunte la herramienta hacia usted mismo u otras personas.
- Jamás juegue con la herramienta.
- Jamás sostenga ni transporte la herramienta con el dedo puesto en el gatillo.
- Jamás coloque una mano ni cualquier otra parte del cuerpo en el área de descarga de grapas de la herramienta mientras esté conectada al suministro de aire.

SUMINISTRO DE AIRE Y CONEXIONES

- Solo utilice aire comprimido regulado y limpio como fuente de energía para esta herramienta. No utilice gases envasados, gases combustibles ni oxígeno como fuente de energía para la herramienta porque pueden provocar que esta explote.
- No utilice un suministro de aire cuya presión supere los 110 PSI, ya que superar la presión máxima de aire recomendada aumentará considerablemente el deterioro de la herramienta.
- El suministro de aire debe poder mantener la presión de aire para que la herramienta funcione. Los descensos de presión del suministro de aire pueden reducir su desempeño.
- Utilice un regulador y un medidor de presión para poder revisar visualmente la presión de aire que se está administrando a la herramienta.
- Utilice mangueras de aire que tengan una presión nominal de hasta 150% de la presión máxima que puede generar la fuente de energía. Estas mangueras deben tener adaptadores para poder desconectar rápidamente el enchufe macho de la herramienta.
- Utilice adaptadores de conexión rápida que le permitan a la herramienta desconectarse del suministro de aire rápida y fácilmente.
- No utilice adaptadores que no permitan que la herramienta evacúe el aire cuando se desconecte del suministro.

USO DE LA HERRAMIENTA

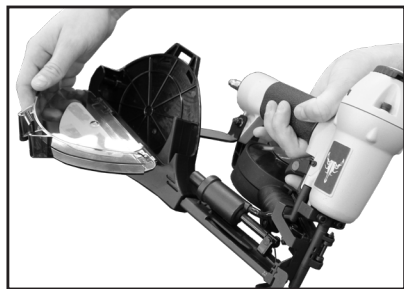
- Jamás revise, realice el mantenimiento, repare, ajuste, desatasque ni guarde la herramienta mientras esté conectada al aire.
- Jamás utilice la herramienta cerca de gases o líquidos inflamables, ya que puede generar chispas que pueden provocar incendios o explosiones.
- Siempre revise que el dispositivo no presente daños y que funcione correctamente antes de utilizarlo.
- Jamás asuma que la herramienta está descargada.
- Jamás apunte la herramienta hacia usted mismo u otras personas.
- Jamás accione la herramienta salvo que esté en contacto con la pieza de trabajo.
- Jamás utilice la herramienta como martillo o dispositivo de ajuste ni permita que caiga al suelo.
- Siempre quite el dedo del gatillo cuando deje de utilizar la herramienta.
- Jamás altere el dispositivo de seguridad ni utilice la herramienta si dicho dispositivo no funciona correctamente.
- Solo utilice clavos con arandelas STINGER® NailPac® de 25mm con la pistola clavadora STINGER CN100B. Jamás utilice un tipo de grapas que no sea para esta herramienta. La CN100B tiene capacidad para 1 rollo de arandelas de plástico (200 arandelas) y 1 bobina de clavos (200 clavos cada una).

ESPECIFICACIONES DE LA HERRAMIENTA



Presión para el funcionamiento	80 - 110 PSI*
Peso	4.9lbs 2.22kg
Capacidad de clavos	200 clavos (1 bobina de 200 clavos)
Capacidad de arandelas	200 arandelas de plástico unidas (1 rollo)
Entrada de aire	1/4" 6.5mm
Grapas	Solo STINGER® NailPac®. Incluye 10 bobinas de clavos con vástago anillado electrolgalvanizado de 25mm (200 clavos por bobina) y 10 rollos de arandelas de plástico unidas de 25mm (200 arandelas por rollo).

CARGA DE LA HERRAMIENTA

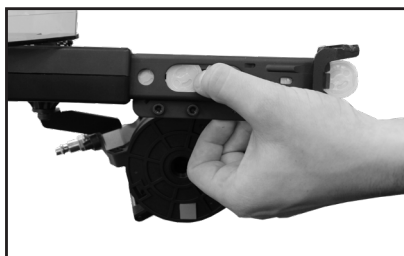


- Desconecte el aire y abra la tapa del cartucho.



- Coloque el rollo de arandelas en el contenedor (quitar la cinta del rollo antes de su colocación). Asegúrese de que la parte inicial del rollo de arandelas esté sobre la guía de arandelas del contenedor. Coloque la primera arandela dentro del conducto de alimentación.

- Cierre la tapa del cartucho.



- Deslice las arandelas a lo largo del conducto de alimentación con los dedos hasta que la primera arandela quede ubicada debajo de la punta.



- Quite el seguro para abrir la compuerta para clavos y la tapa del contenedor. Coloque una bobina de clavos en el contenedor para que quede firmemente ajustada alrededor de la clavija central.



- Inserte el primer clavo dentro de la punta. Coloque los siguientes clavos de manera horizontal en el trinquete de alimentación.

- Cierre la tapa del contenedor de clavos y la compuerta para clavos. Cerciérese de que el seguro esté bien ajustado.

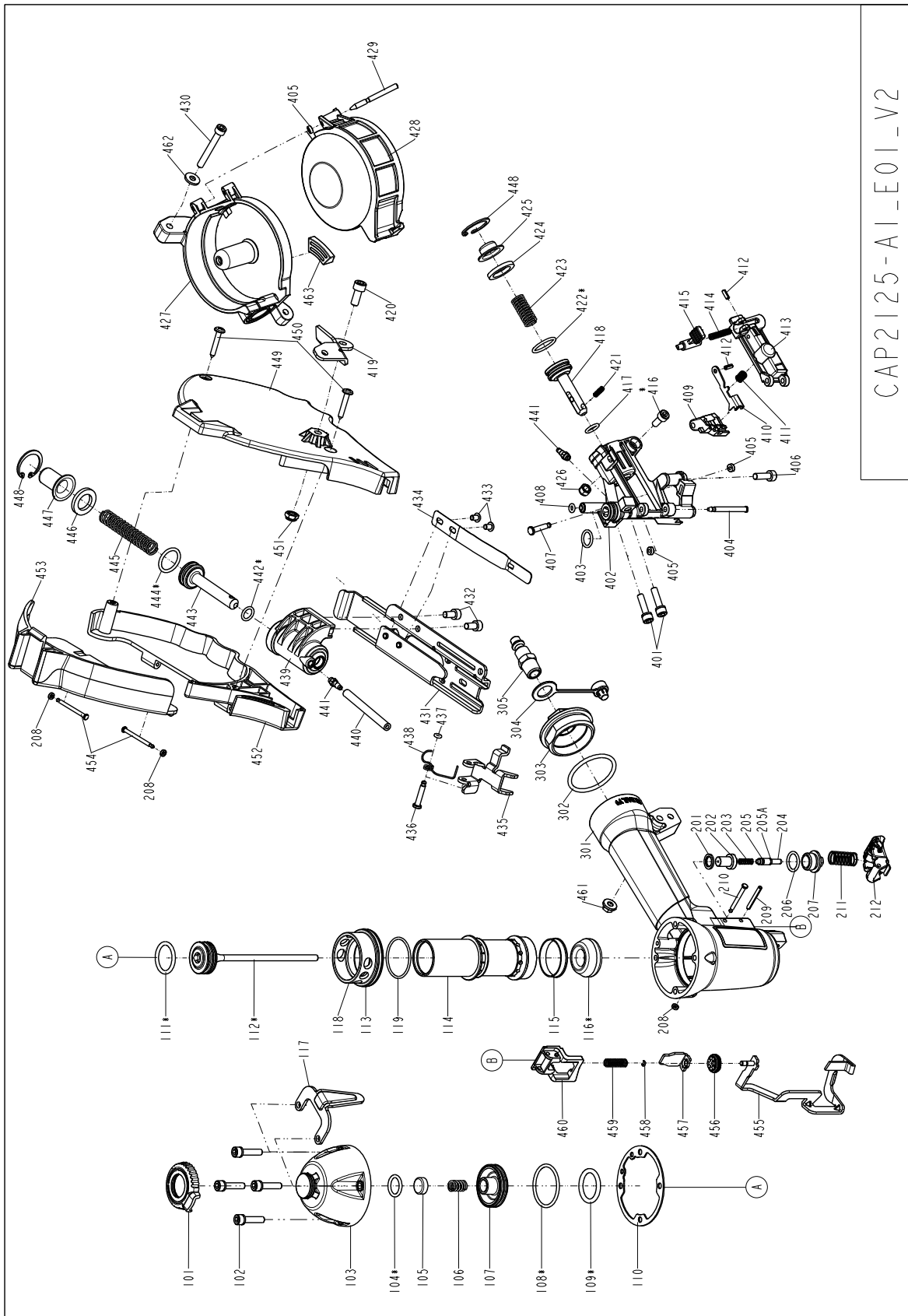
- Conecte al suministro de aire. ¡La herramienta está lista para ser usada!

NO UTILICE LA CN100B SIN HABER LEÍDO ESTE MANUAL DE USUARIO

1. Lea las etiquetas de advertencia de la herramienta.
2. Revise visualmente la herramienta en busca de piezas desgastadas o dañadas.
3. Utilice la protección para ojos y oídos correspondiente.
4. Instale un adaptador neumático macho en la tapa trasera de la herramienta, así podrá evacuar cualquier resto de aire cuando se desconecte la manguera.
5. Añada diariamente dos gotas de aceite W20 sin detergente al adaptador macho (se incluye una botella en el estuche portátil).
6. Conecte la manguera de aire a la herramienta utilizando un adaptador de conexión rápida y revise la presión de aire que indica el regulador para asegurarse de que no supere los 110 PSI. Revise que no haya fugas en la herramienta.
7. Coloque la herramienta, sin grapas, en posición de uso sobre una pieza de trabajo sobrante. Quite el seguro completamente y presione el gatillo para verificar que la herramienta funciona.
8. Desconecte la manguera de aire de la herramienta en los siguientes casos:
 - Cuando cargue clavos o arandelas.
 - Cuando realice inspecciones, mantenimientos o reparaciones.
 - Cuando desatasque un clavo o arandelas unidas.
 - Cuando no esté utilizando la herramienta.
 - Cuando se vaya del área de trabajo.
 - Cuando mueva la herramienta a otro lugar de trabajo.
 - Cuando le dé la herramienta a otra persona.
 - Cuando guarde la herramienta.
9. Cargue las grapas adecuadas para este tipo de herramienta siguiendo las instrucciones de carga recomendadas.
10. Utilice la herramienta en una pieza sobrante para probar la profundidad de penetración de la grapa en dicha pieza.
11. Para ajustar la profundidad de penetración, regule la presión de aire del compresor o desconecte la manguera y ajuste la rueda de control de profundidad. Luego, conecte la manguera y utilice la herramienta en una pieza de trabajo sobrante para evaluar el ajuste realizado.
12. Repita el paso 11 las veces que sean necesarias para corregir la profundidad y utilice la cantidad mínima de presión de aire para impulsar la grapa.

ESQUEMA DE CN100B

Póngase en contacto con Ventas Internas llamando al 800-746-5659 para solicitar piezas de repuesto



CAP2125-A1-E01-V2

LISTA DE PIEZAS DE CN100B

Ref. #	Description	National Nail Item #
101	DEFLECTOR	138500
102	BOLT ASSY	138501
103	CAP	138502
104	O - RING	138503
105	SEAL	138504
106	COMPRESSION SPRING	138505
107	POPPET VALVE	138506
108	O - RING	138507
109	O - RING	138508
110	GASKET	138509
111	O - RING	138510
112	DRIVER UNIT	138598
113	O - RING	0138512
114	CYLINDER - ALUMINIUM	138639
115	CYLINDER RING	0138514
116	BUMPER	0138515
117	BELT HOOK	138516
118	COLLAR	0138640
119	O-RING	0138641
201	SEAL	0138518
201	SEAL	0138518
202	TRIGGER VALVE HEAD	0138519
203	SPRING	0138520
204	PLUNGER	0138521
205	O - RING	0138522
205A	O - RING	0138523
206	O - RING	0138524
207	TRIGGER VALVE GUIDE	0138525
208	RETAINER	0138526
209	SPRING PIN	0138527
210	TRIGGER PIVOT PIN	0138528
211	SPRING	0138529
212	TRIGGER UNIT	0138530
301	GUN BODY UNIT	138599
302	O - RING	0138532
303	END CAP	0138533
304	DUST COVER	0138534
305	AIR PLUG	0138535
401	BOLT ASSY	0138536
402	NOSE PIECE	138600
403	O - RING	138601
404	DOOR SHAFT PIN	138602
405	PU RETAINER	138603
406	HEX.SOC.HD.BOLT	138604
407	FIXED PIN	138605
408	O - RING	138606
409	FEED FINGER	138607
410	NAIL STOP	138608
411	STOPPER FINGER SPRING	138609
412	SPRING PIN	138610
413	DOOR	138611

LISTA DE PIEZAS DE CN100B

Ref. #	Description	National Nail Item #
414	LATCH SPRING	138612
415	DOOR LATCH	138613
416	HEX.SOC.HD.BOLT	138614
417	O - RING	138615
418	FEED PISTON	138616
419	POSITIONING SHEET	138617
420	HEX.SOC.HD.BOLT	0138557
421	STOPPER FINGER SPRING	138618
422	HEX.SOC.HD.BOLT	138619
423	SPRING A COMPRESSION	138620
424	FEED BUMPER	138621
425	FEED PISTON CAP	138622
426	LOCK NUT	138623
427	MAGAZINE CASE	138624
428	MAGAZINE COVER	138625
429	MAGAZINE SHAFT PIN	138626
430	HEX.SOC.HD.BOLT	138627
431	TRACK	0138566
432	HEX.SOC.HD.BOLT	0138567
433	HALF ROUND HD.HEX.BOLT	0138568
434	HOLD DOWN SPRING	0138569
435	PUSHING	0138570
436	PIN FEED PISTON	0138571
437	O - RING	0138572
438	SPRING	0138573
439	FEEDING TRACK	0138574
440	INLET TUBING	138628
441	BARB FITTING	0138576
442	O - RING	0138577
443	FEED PISTON	0138578
444	O - RING	0138579
445	SPRING FEED	0138580
446	FEED BUMPER	0138581
447	FEED PISTON CAP	0138582
448	C - RING	0138583
449	MAG. COVER LEFT	0138584
450	PHILLIPS SCREW	0138585
451	LOCK NUT	0138586
452	MAG. COVER RIGHT	0138587
453	DOOR	0138588
454	TRIGGER PIVOT PIN	0138589
455	SAFETY A UNIT	138629
456	ADJUST AXIE	0138591
457	SAFETY B	0138592
458	RING	0138593
459	SPRING	0138594
460	SAFETY GUIDE	0138595
461	BOLT CAP	138630
462	FLAT WASHER	138631
463	SPACER RING	138632
	O-Ring Kit (contains parts in bold)	0138638

MANTENIMIENTO

1. Desconecte la manguera de aire de la herramienta cuando realice inspecciones, mantenimientos o reparaciones.
2. Utilice lubricantes de conductos de aire. Si no consigue lubricantes o si el largo de la manguera supera los 10 pies (3 metros), añada diariamente dos gotas de aceite W20 sin detergente a la entrada de aire de la herramienta (se incluye una botella en el estuche portátil).
3. Cuando se deban realizar reparaciones o reemplazar piezas interiores de la herramienta, revise que la junta tórica del pistón esté lubricada correctamente con grasa.
4. Jamás utilice piezas que no sean piezas de repuesto STINGER auténticas. Para solicitarlas, llame al 800-746-5659.
5. Limpie el cartucho y la punta de la herramienta regularmente con un solvente suave.

GUARDADO

1. Desconecte la manguera de aire cuando guarde la herramienta.
2. Jamás guarde la herramienta en ambientes fríos, sin importar cuánto tiempo sea, ya que se puede formar escarcha o hielo que puede provocar fallas en el aparato.
3. Para guardar la herramienta durante un período prolongado, añada dos gotas de aceite a la entrada de aire antes de discontinuar su uso. Además, limpie el exterior de la herramienta con un solvente suave.

GARANTÍA DE LAS PARTES

1. La garantía las arandelas ensambladas, las arandelas de metal fundido y las carcasas de metal fundido tiene una duración de un año.
2. Los amortiguadores, las juntas tóricas, el percutor y las juntas del pistón no tienen garantía, ya que son piezas que se desgastan normalmente, cuya vida útil depende de su uso.
3. La garantía del resto de las piezas tiene una duración de 90 días.

CONDICIONES DE LA GARANTÍA

1. La garantía tiene validez desde la fecha de adquisición de la herramienta.
2. La garantía no es transferible.
3. La garantía queda invalidada en cualquiera de los siguientes casos:
 - a. Por el abuso, el mal uso o los daños provocados a la herramienta.
 - b. Por el uso de otras piezas que no sean STINGER auténticas.
 - c. Por el uso de grapas que no están diseñadas para ser usadas en esta herramienta.
 - d. Por modificaciones a la herramienta que alteran su función o su finalidad de uso original realizadas por cualquiera que no sea National Nail.
4. National Nail Corp. se reserva el derecho de reemplazar o reparar cualquier parte cubierta por la garantía si lo considera necesario.

SOLUCIÓN DE PROBLEMAS

DESCONECTE LA MANGUERA DE AIRE DE LA HERRAMIENTA CUANDO REALICE INSPECCIONES, MANTENIMIENTOS O REPARACIONES.

PROBLEMA

1. La herramienta funciona pero no sale ninguna grapa.

2. Sale aire por la tapa.

3. Las grapas se atascan en la punta de la herramienta.

4. La herramienta tiene poca fuerza

5. La herramienta se saltea grapas

6. Las grapas no entran de manera total en la pieza de trabajo.

SOLUCIÓN

- Asegúrese de que la herramienta esté lubricada.
- Revise el cartucho para asegurarse de que las grapas estén colocadas correctamente. Las grapas deben moverse fácilmente hacia dentro y fuera del cartucho.
- Ajuste los tornillos de la tapa.
- Quite el seguro para abrir la compuerta para clavos y la tapa del contenedor. Abra la compuerta para clavos y la tapa del contenedor. Quite la grapa atascada.
- Vuelva a cargar la herramienta.
- Cierre la tapa del contenedor de clavos y la compuerta para clavos.
- Revise que el suministro de aire sea suficiente.
- Reemplace el amortiguador si está gastado.
- Solo utilice grapas STINGER® NailPac® auténticas.
- Reemplace el cartucho si está gastado.
- Revise que la presión de aire no esté muy baja ni muy alta.
- Asegúrese de que la herramienta esté lubricada.
- Ajuste la profundidad a la que debe insertarse.
- Revise que la presión de aire no esté muy baja ni muy alta.
- Revise que el percutor no esté dañado.

*Póngase en contacto con Ventas Internas para solicitar asistencia técnica por otros problemas
800-746-5659*



Para obtener más información
sobre nuestros productos y
servicios, visite nuestros sitios:



@stingersystems

STINGERWORLD.COM

STINGER[®]

MANUEL DU PROPRIÉTAIRE DE L'AGRAFEUSE À CAPSULE CN100B

UTILISATION

ENTRETIEN

SÉCURITÉ

GARANTIE



LISEZ S'IL VOUS PLAÎT! Ce manuel contient des informations importantes au sujet de votre nouvel outil

Nous vous félicitons pour votre achat de l'agrafeuse à capsule CN100B de STINGER! Vous avez fait choix d'une marque et d'un outil sur lesquels vous pouvez compter pour la meilleure installation et d'excellents résultats à chaque utilisation.

Merci de consacrer quelques minutes à la lecture attentive des informations fournies par ce Manuel du Propriétaire avant d'utiliser ou d'effectuer l'entretien de votre agrafeuse à capsule CN100B.

La CN100B est conçue pour fixer les membranes isolantes de maison, les plaques de mousse et le feutre pour toiture. Une mauvaise utilisation de la CN100B peut entraîner des blessures graves ou même la mort. La plupart des accidents sont causés par des manquements aux règles de sécurité et précautions de base, qui sont formulées à la section «Informations importantes» de ce manuel.

Ce Manuel du Propriétaire doit être mis à la disposition de quiconque s'apprête à utiliser la CN100B.

TABLE DES MATIÈRES

Informations importantes	1
Caractéristiques de l'outil	4
Chargement de l'outil	5
Utilisation de l'outil	6
Diagramme	7
Liste des pièces détachées	8
Entretien et Rangement	10
Garantie	11
Dépannage	12



CONSIDÉRATIONS SUR LA SÉCURITÉ PERSONNELLE

- N'utilisez pas cet outil sans avoir lu préalablement le Manuel du Propriétaire.
- Portez toujours une protection oculaire conforme aux exigences de l'ANSI (Z87.1) et pouvant arrêter les particules projetées de l'avant et des deux côtés. L'utilisateur et les autres personnes de son entourage doivent être munis de la protection oculaire. La protection oculaire est requise contre les agrafes et débris projetés dans l'air, car ils peuvent causer des blessures graves à l'œil.
- Il incombe à l'employeur de veiller à ce que la protection oculaire soit portée par l'utilisateur de l'outil et par les autres personnes de son entourage.
- Afin de prévenir les accidents
 - Maniez l'outil avec précaution.
 - Considérez toujours l'outil comme contenant des agrafes.
 - Débranchez toujours le tube à air de la CN100B pour:
 - le chargement d'agrafes ou de capsules
 - l'inspection, la réparation ou l'entretien
 - l'extraction d'une agrafe ou d'une capsule coincée
 - déposer l'outil entre les utilisations
 - vous éloigner de la zone de travail
 - transporter la CN100B à une autre zone de travail
 - tendre la CN100B à une autre personne
 - ranger l'outil.
 - Ne pointez jamais l'outil dans votre direction ni vers une autre personne.
 - N'utilisez jamais l'outil pour faire des plaisanteries.
 - Ne transportez jamais l'outil en gardant votre doigt sur la détente.
 - Ne mettez jamais la main ni aucune autre partie de votre corps dans la zone de projection possible de l'outil pendant que la pression d'air est branchée.

APPROVISIONNEMENT EN AIR ET CONNEXIONS

- Utilisez exclusivement de l'air comprimé propre et régulé comme source d'énergie pour cet outil. N'utilisez pas de bonbonne de gaz, de gaz combustibles ou de l'oxygène comme sources d'énergie, car ils peuvent faire exploser l'outil.
- N'utilisez pas une pression d'air supérieure à 110 psi. En dépassant la pression d'air recommandée pour le fonctionnement, vous accélérerez considérablement l'usure de l'outil.
- L'approvisionnement en air doit pouvoir maintenir la pression nécessaire à l'outil. Les baisses de pression dans l'approvisionnement en air peuvent réduire l'efficacité de l'outil.
- Utilisez un régulateur de pression et une jauge permettant la vérification visuelle de la pression d'air appliquée à l'outil.
- Utilisez des tuyaux pneumatiques d'une valeur nominale de 150% par rapport à la pression d'air maximale fournie par la source. Le tuyau d'alimentation doit être muni de raccords permettant la déconnexion rapide de la prise mâle de l'outil.
- Utilisez des raccords à connexion rapide pouvant permettre de déconnecter rapidement et facilement l'outil de la source d'approvisionnement.
- N'utilisez pas de raccords ne permettant pas à l'outil de se purger une fois l'approvisionnement en air débranché.

UTILISATION DE L'OUTIL

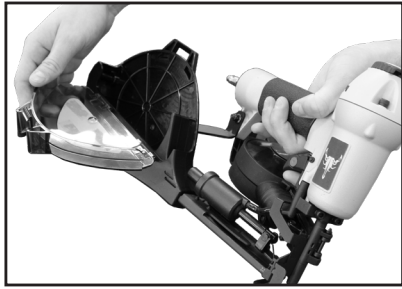
- Vous ne devez jamais inspecter, effectuer l'entretien, réparer, ajuster, débloquer ni ranger l'outil avec l'approvisionnement en air connecté.
- N'utilisez jamais l'outil à proximité de gaz ou de liquides inflammables, car certains outils produisent des étincelles qui peuvent déclencher un incendie ou une explosion.
- Inspectez toujours le dispositif de sûreté afin d'y déceler toute trace d'endommagement et de vous assurer de son bon fonctionnement avant d'utiliser l'outil.
- Ne présumez jamais que l'outil ne contient pas d'agrafes.
- Ne pointez jamais l'outil dans votre direction ni vers une autre personne.
- Ne faites jamais marcher l'outil sans qu'il ne soit en contact avec l'objet visé.
- N'utilisez jamais l'outil comme marteau ou instrument de calage et ne le laissez pas tomber au sol, de quelque hauteur que ce soit.
- Enlevez toujours votre doigt de la détente pendant les temps d'arrêt.
- Ne touchez jamais inutilement au dispositif de sûreté ni n'utilisez l'outil alors que ce dispositif ne fonctionne pas correctement.
- Utilisez exclusivement les agrafes et capsules STINGER® NailPac® de 1 pouce avec l'agrafeuse à capsule STINGER CN100B. N'utilisez jamais d'agrafes qui n'ont pas été fabriquées pour cet outil. La CN100B contient 1 rouleau de capsules en plastique (200 capsules) et 1 ruban d'agrafes (200 agrafes par ruban).

CARACTÉRISTIQUES DE L'OUTIL



Force de la pression de travail	80 - 110 PSI*
Poids	4.9lbs 2.22kg
Capacité en agrafes	200 nails (1 - 200 count coil)
Capacité en capsules	200 collated plastic caps (1 reel)
Admission d'air	1/4" 6.5mm
Agrafes	STINGER® NailPac® exclusivement - contient 10 rubans d'agrafes annelées électro galvanisées de 1 pouce et 10 rouleaux de 1 pouce de capsules en plastique galvanisé (200 capsules par rouleau).

CHARGEMENT DE L'OUTIL

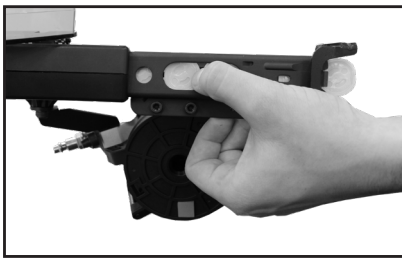


- Débranchez l'air. Ouvrez le couvercle du chargeur.



- Placez le rouleau à capsules dans le chargeur (après avoir enlevé le ruban adhésif). Assurez-vous que l'extrémité avant du rouleau est engagée sur le guide de rouleau du chargeur. Faites pénétrer la première capsule dans la fente de chute

- Fermez le couvercle du chargeur.



- Faites glisser les capsules à l'aide de vos doigts le long de la fente de chute jusqu'à ce que la première capsule se positionne sous l'embout.



- Appuyez sur le pousse-agrafe et le couvercle du chargeur. Séparez le pousse-agrafe du couvercle du chargeur. Insérez une bobine d'agrafes dans le chargeur de sorte qu'elle s'aligne bien sur la rainure centrale.



- Insérez la première agrafe dans l'embout de l'outil. Posez les agrafes suivantes à plat sur le cliquet d'alimentation.

- Refermez le couvercle du chargeur d'agrafes et le pousse-agrafe. Vérifiez que le verrouillage est sécurisé.

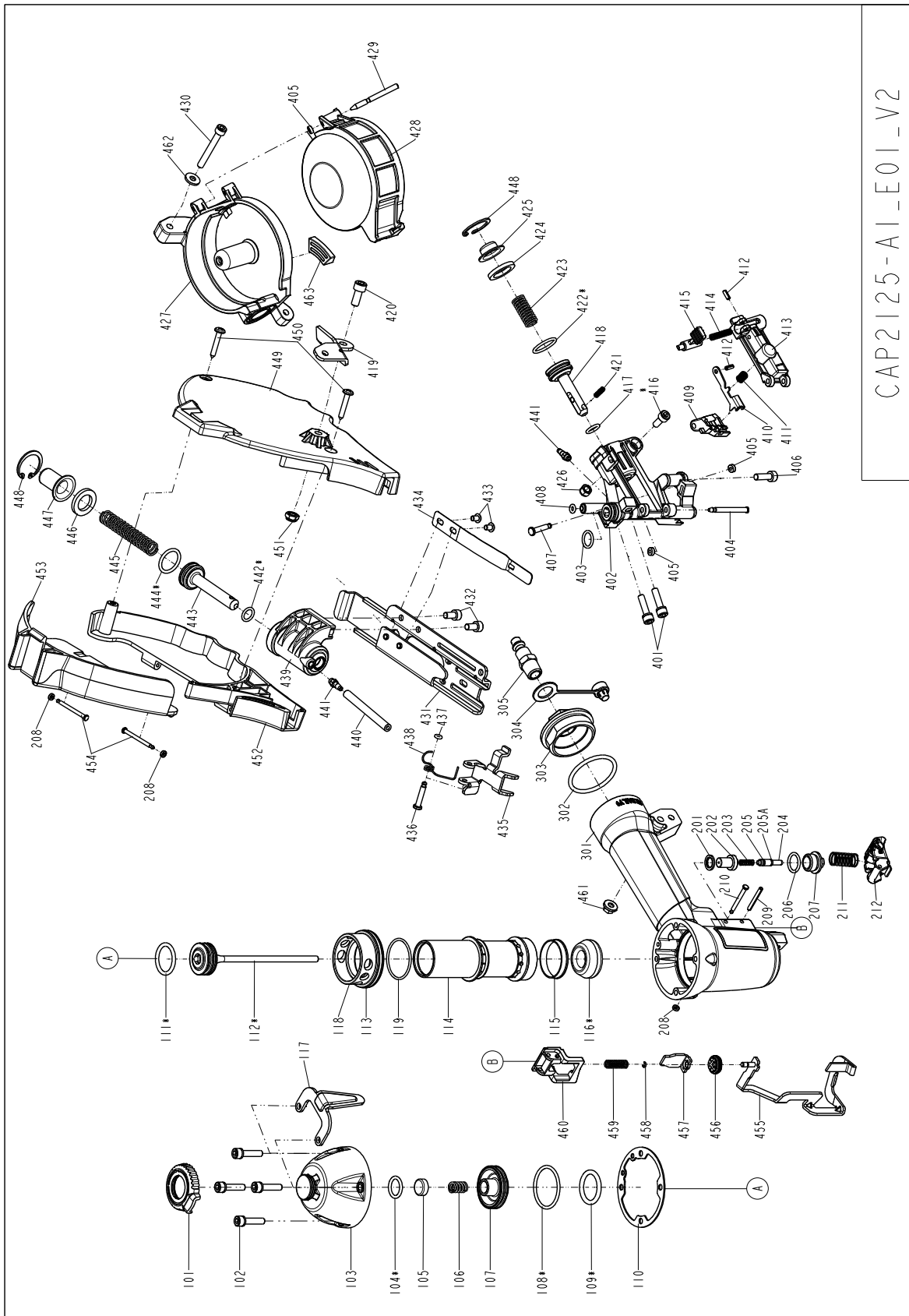
- Branchez l'approvisionnement d'air sur la source. L'outil est prêt à être utilisé!

N'UTILISEZ PAS LA CN100B SANS AVOIR LU PRÉALABLEMENT CE MANUEL DU PROPRIÉTAIRE

1. Lisez la ou les étiquettes d'avertissement posées sur l'outil.
2. Vérifiez visuellement l'outil afin d'y déceler d'éventuels signes d'usure ou de dommages.
3. Portez une protection adéquate pour les yeux et les oreilles.
4. Installez un raccord pneumatique mâle sur l'embout de l'outil, afin de vous assurer que l'outil peut se purger de tout résidu d'air quand le tube est débranché.
5. Déposez quotidiennement 2 gouttes d'huile non détergente de poids No. 20 sur le raccord mâle (burette placée dans la boîte de transport).
6. Connectez le tube à air à l'outil à travers un raccord de déconnexion rapide et vérifiez que la pression d'air affichée sur le régulateur ne dépasse pas 110 psi. Vérifiez que l'air ne fuit pas de l'outil.
7. Déposez l'outil, sans les agrafes, en position de fonctionnement sur un chiffon de travail, enfoncez entièrement la Sûreté et appuyez sur la détente afin de vous assurer que l'outil fonctionne.
8. Débranchez le tube à air de l'outil avant de:
 - le charger d'agrafes ou de capsules
 - l'inspecter, le réparer ou en effectuer l'entretien
 - extraire une agrafe ou une capsule coincée
 - déposer l'outil entre les utilisations
 - vous éloigner de la zone de travail
 - transporter l'outil à une autre zone de travail
 - tendre l'outil à une autre personne
 - ranger l'outil.
9. Tout en suivant les instructions de chargement recommandées, chargez l'outil d'agrafes approuvées pour cet outil.
10. Testez l'outil sur un morceau de bois inutilisé afin d'évaluer la profondeur de pénétration de l'agrafe dans le bois.
11. Pour ajuster la pénétration, réglez la pression d'air sur le compresseur d'air et/ou débranchez le tube à air, ajustez la molette de contrôle, branchez le tube à air et faites fonctionner l'outil sur un morceau de bois inutilisé pour vérifier le réglage.
12. Répétez l'étape 11 au besoin afin d'obtenir la profondeur voulue en utilisant le minimum de pression d'air pour enfoncer l'agrafe.

DIAGRAMME DE LA CN100B

Contactez le Service de vente interne au 800-746-5659 pour passer une commande de pièce de détachée.



CAP2125-A1-E01-V2

LISTE DES PIÈCES DÉTACHÉES

Ref. #	Description	National Nail Item #
101	DEFLECTOR	138500
102	BOLT ASSY	138501
103	CAP	138502
104	O - RING	138503
105	SEAL	138504
106	COMPRESSION SPRING	138505
107	POPPET VALVE	138506
108	O - RING	138507
109	O - RING	138508
110	GASKET	138509
111	O - RING	138510
112	DRIVER UNIT	138598
113	O - RING	0138512
114	CYLINDER - ALUMINIUM	138639
115	CYLINDER RING	0138514
116	BUMPER	0138515
117	BELT HOOK	138516
118	COLLAR	0138640
119	O-RING	0138641
201	SEAL	0138518
201	SEAL	0138518
202	TRIGGER VALVE HEAD	0138519
203	SPRING	0138520
204	PLUNGER	0138521
205	O - RING	0138522
205A	O - RING	0138523
206	O - RING	0138524
207	TRIGGER VALVE GUIDE	0138525
208	RETAINER	0138526
209	SPRING PIN	0138527
210	TRIGGER PIVOT PIN	0138528
211	SPRING	0138529
212	TRIGGER UNIT	0138530
301	GUN BODY UNIT	138599
302	O - RING	0138532
303	END CAP	0138533
304	DUST COVER	0138534
305	AIR PLUG	0138535
401	BOLT ASSY	0138536
402	NOSE PIECE	138600
403	O - RING	138601
404	DOOR SHAFT PIN	138602
405	PU RETAINER	138603
406	HEX.SOC.HD.BOLT	138604
407	FIXED PIN	138605
408	O - RING	138606
409	FEED FINGER	138607
410	NAIL STOP	138608
411	STOPPER FINGER SPRING	138609
412	SPRING PIN	138610
413	DOOR	138611

LISTE DES PIÈCES DÉTACHÉES

Ref. #	Description	National Nail Item #
414	LATCH SPRING	138612
415	DOOR LATCH	138613
416	HEX.SOC.HD.BOLT	138614
417	O - RING	138615
418	FEED PISTON	138616
419	POSITIONING SHEET	138617
420	HEX.SOC.HD.BOLT	0138557
421	STOPPER FINGER SPRING	138618
422	HEX.SOC.HD.BOLT	138619
423	SPRING A COMPRESSION	138620
424	FEED BUMPER	138621
425	FEED PISTON CAP	138622
426	LOCK NUT	138623
427	MAGAZINE CASE	138624
428	MAGAZINE COVER	138625
429	MAGAZINE SHAFT PIN	138626
430	HEX.SOC.HD.BOLT	138627
431	TRACK	0138566
432	HEX.SOC.HD.BOLT	0138567
433	HALF ROUND HD.HEX.BOLT	0138568
434	HOLD DOWN SPRING	0138569
435	PUSHING	0138570
436	PIN FEED PISTON	0138571
437	O - RING	0138572
438	SPRING	0138573
439	FEEDING TRACK	0138574
440	INLET TUBING	138628
441	BARB FITTING	0138576
442	O - RING	0138577
443	FEED PISTON	0138578
444	O - RING	0138579
445	SPRING FEED	0138580
446	FEED BUMPER	0138581
447	FEED PISTON CAP	0138582
448	C - RING	0138583
449	MAG. COVER LEFT	0138584
450	PHILLIPS SCREW	0138585
451	LOCK NUT	0138586
452	MAG. COVER RIGHT	0138587
453	DOOR	0138588
454	TRIGGER PIVOT PIN	0138589
455	SAFETY A UNIT	138629
456	ADJUST AXIE	0138591
457	SAFETY B	0138592
458	RING	0138593
459	SPRING	0138594
460	SAFETY GUIDE	0138595
461	BOLT CAP	138630
462	FLAT WASHER	138631
463	SPACER RING	138632
	O-Ring Kit (contains parts in bold)	0138638

ENTRETIEN

1. Débranchez le tube à air de l'outil pour effectuer les vérifications, l'entretien ou les réparations.
2. Utilisez des graisseurs de ligne à air. En cas de non-disponibilité de graisseurs ou si la longueur du tube dépasse 10 pieds, ajoutez quotidiennement 2 gouttes d'huile non détergente de poids No. 20 dans l'orifice d'admission d'air de l'outil (burette placée dans la boîte de transport).
3. Après chaque réparation ou remplacement de pièce à l'intérieur de l'outil, vérifiez que le joint torique est adéquatement lubrifié.
4. N'utilisez jamais de pièces détachées autres que celles authentiquement fournies par STINGER. Pour passer une commande, appelez au 800-746-5659.
5. Nettoyez périodiquement le chargeur et l'embout de l'outil à l'aide d'un solvant doux

RANGEMENT

1. Débranchez le tube à air avant de ranger l'outil.
2. Ne rangez jamais l'outil dans un milieu froid pour une durée prolongée, car toute formation de givre ou de glace à l'intérieur de l'outil entraînera une défaillance.
3. Si vous devez ranger l'outil pour une durée prolongée, ajoutez 2 gouttes d'huile dans l'orifice d'admission d'air avant d'arrêter son utilisation. Nettoyez aussi l'extérieur de l'outil à l'aide d'un solvant doux.

ARTICLES SOUS GARANTIE

1. La garantie sur les ensembles de capsule, moulages et boîtiers moulés est d'une année.
2. Aucune garantie n'est applicable aux tampons, joints toriques, lames d'entraînement et anneaux de pistons parce que ce sont des pièces soumises à une usure normale et dont la durée de vie dépend de l'usage.
3. La garantie pour toutes les autres pièces est de 90 jours.

CONDITIONS DE GARANTIE

1. La date d'entrée en vigueur de la garantie est celle de l'achat de l'outil.
2. Cette garantie n'est pas transférable.
3. La garantie est annulée par n'importe laquelle des éventualités ci-dessous:
 - a. abus, mauvaise utilisation ou endommagement de l'outil
 - b. utilisation de pièces détachées autres que celles authentiquement fournies par STINGER
 - c. utilisation d'agrafes non destinées à l'outil
 - d. modification de l'outil avec comme effet d'altérer l'intention ou la fonction initialement prévue par toute autre personne ou entité que National Nail
4. La société National Nail se réserve le droit de remplacer ou de réparer tout article sous garantie comme elle le jugera nécessaire.

*DÉBRANCHEZ LE TUBE À AIR DE L'OUTIL POUR EFFECTUER
LES VÉRIFICATIONS, L'ENTRETIEN OU LES RÉPARATIONS.*

PROBLÈME

1. L'outil fonctionne, mais il n'en sort aucune agrafe.
2. L'air fuit de la capsule.
3. Les agrafes se coincent dans l'embout\ de l'outil.
4. Entraînement faible
5. Ratage d'agrafes
6. Les agrafes ne pénètrent pas complètement dans la surface travaillée.

SOLUTION

- Assurez-vous que l'outil est lubrifié.
- Vérifiez la présence d'agrafes adéquates dans le chargeur. Les agrafes doivent glisser librement dans et hors du chargeur.
- Resserrez les vis de capsule.
- Appuyez sur le verrouillage du pousse-agrafe et tirez vers l'arrière. Séparez le pousse-agrafe du couvercle du chargeur. Retirez l'agrafe coincée.
- Rechargez l'outil.
- Refermez le pousse-agrafe et le couvercle du chargeur.
- Vérifiez la présence d'une quantité d'air suffisante.
- Remplacez le tampon s'il est usé.
- Utilisez exclusivement d'authentiques agrafes STINGER® NailPac®.
- Remplacez le chargeur s'il est usé.
- Vérifiez l'approvisionnement d'air, qui peut être trop faible ou trop fort.
- Assurez-vous que l'outil est lubrifié
- Ajustez la profondeur d'enfoncement.
- Vérifiez l'approvisionnement d'air, qui peut être trop faible ou trop fort.
- Inspectez la lame d'entraînement afin d'y déceler tout dommage.

Veillez contacter le Service de vente interne au 800-746-5659 afin d'obtenir une aide technique si vous continuez à avoir des problèmes. 800-746-5659



Pour des informations
complémentaires sur nos produits
et services, contactez-nous à:



@stingersystems

STINGERWORLD.COM